



Ergofeel[®]

Ergonomic touch,
comfortable feeling

Self Adapting pad and pad-arm system for perfect vision

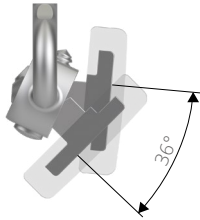


Watch the ERGOFEEEL video

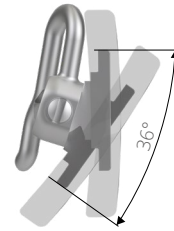


PRODUCT FEATURES

TRIDIMENTIONAL SELF ADJUSTMENT



Horizontal self adjustment angle around 36°



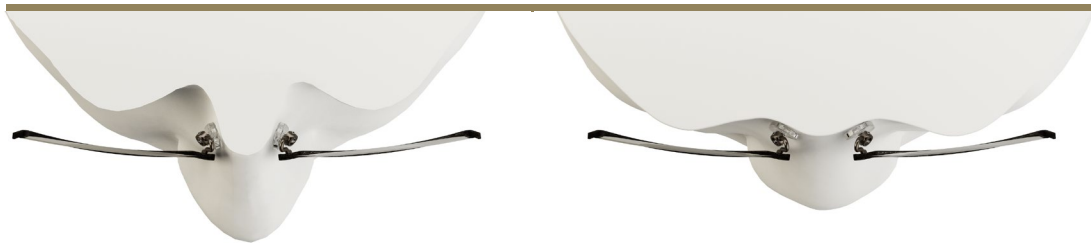
Vertical self adjustment angle around 36°

Allowing a wide mobility, Ergofeel permits the frame to adjust to different nose shapes without need for registration

BENEFITS

- Less adjustments needed
- Adaptability to different facial features
- Better fit for more comfort
- Improved quality of vision

As a consequence, Ergofeel broadens the range of adaptability of frames to different morphologies of faces, making it a perfect product for today's global society



QUALITY AS A PERMANENT CONDITION

- Pads will not become loose if shaken, giving high perception of quality
- The Ergofeel pad can be replaced by a standard pad, temporary losing the Ergofeel features



PRODUCT SPECIFICATIONS

MATERIAL AND COLOR

Ergofeel® is available in MPM - Medical PVC Material
Cristal Cold Pad with Polycarbonate Insert

PERSONALIZATION



IP
Ink Printing



HS
Hot Stamping



IPHS
Ink Printing
on Hot Stamping



DHS
Double Hot Stamping



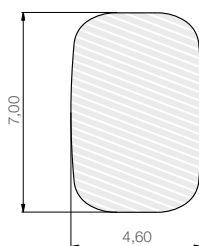
HSE
Hot Stamping Engraving



GPIE
Galvanized Plastic
Insert Engraving
Not Prop.65 Label Free

INSERT AND LOGO

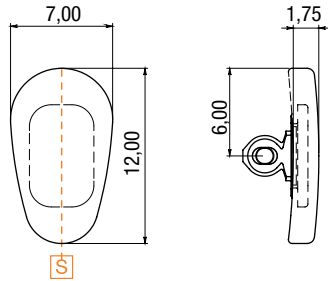
- The personalization is offered on our plastic insert in standard "C SHAPE"
- The logo can be oriented or not oriented



personalization area
of standard insert
"C SHAPE"



NOSE PADS



STANDARD

SOFT Pad

ERGOFEEL® SYSTEM: 71NPC1339A1WYX

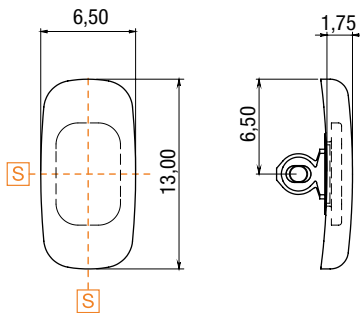
Shape: 2

Material: Soft MPM Crystal Cold

Insert: PC insert "C Shape"

ALTERNATIVE

Material: Soft MPM Crystal Warm - MOQ 20,000 pairs



STANDARD

SOFT Pad

ERGOFEEL® SYSTEM: 71NPC1338A1WYX

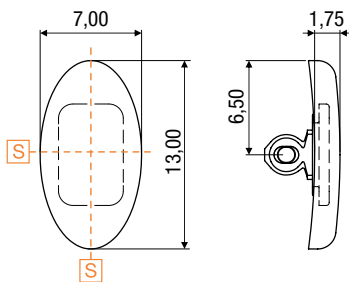
Shape: 93

Material: Soft MPM Crystal Cold

Insert: PC insert "C Shape"

ALTERNATIVE

Material: Soft MPM Crystal Warm - MOQ 20,000 pairs



STANDARD

SOFT Pad

ERGOFEEL® SYSTEM: 71NPC7024A1WYX

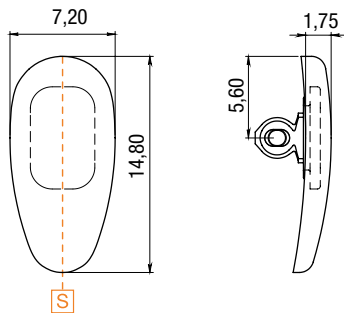
Shape: 184

Material: Soft MPM Crystal Cold

Insert: PC insert "C Shape"

ALTERNATIVE

Material: Soft MPM Crystal Warm - MOQ 20,000 pairs



STANDARD

SOFT Pad

ERGOFEEL® SYSTEM: 71NPC4089A1WYX

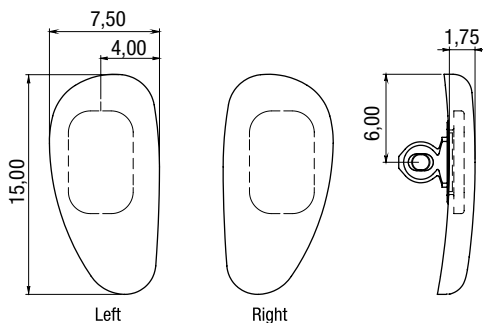
Shape: 102

Material: Soft MPM Crystal Cold

Insert: PC insert "C Shape"

ALTERNATIVE

Material: Soft MPM Crystal Warm - MOQ 20,000 pairs



STANDARD

SOFT Pad

ERGOFEEL® SYSTEM: 71NPC1337A1WY0

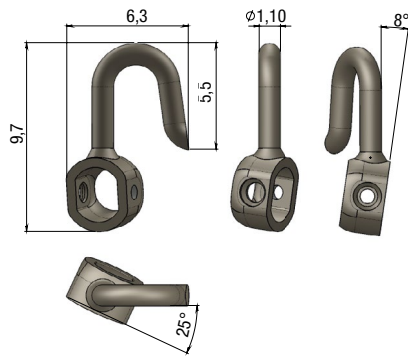
Shape: 101

Material: Soft MPM Crystal Cold

Insert: PC insert "C Shape"

ALTERNATIVE

Material: Soft MPM Crystal Warm - MOQ 20,000 pairs

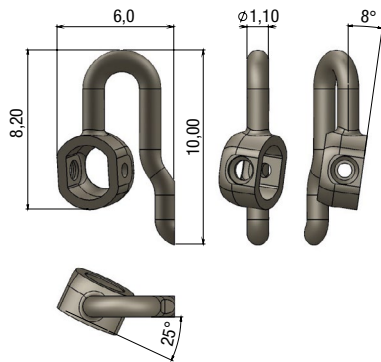


ERGOFEEL® SYSTEM: 03PDC4463A1BY0

Stem code: OA7428
 Stem shape: 207
 Stem Ø 1.10
 Stem alloy Nickel Silver 18% Ni · CuNi18Zn20

ERGOFEEL® BOX

ERGOFEEL® box alloy Nickel Silver 18% Ni · CuNi18Zn20
 Slanted ERGOFEEL® box 25°*8°

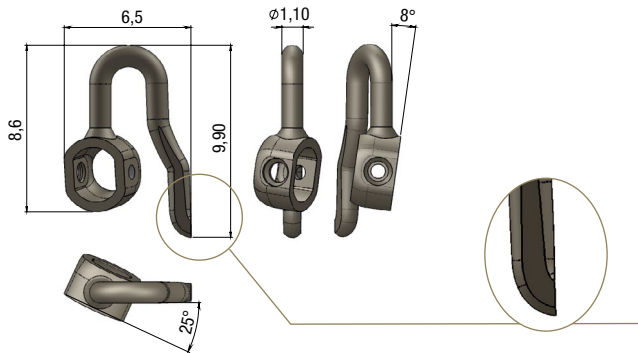


ERGOFEEL® SYSTEM: 03PDB1268A1BY0

Stem code: OA7578
 Stem shape: 214
 Stem Ø 1.10
 Stem alloy Nickel Silver 18% Ni · CuNi18Zn20

ERGOFEEL® BOX

ERGOFEEL® box alloy Nickel Silver 18% Ni · CuNi18Zn20
 Slanted ERGOFEEL® box 25°*8°

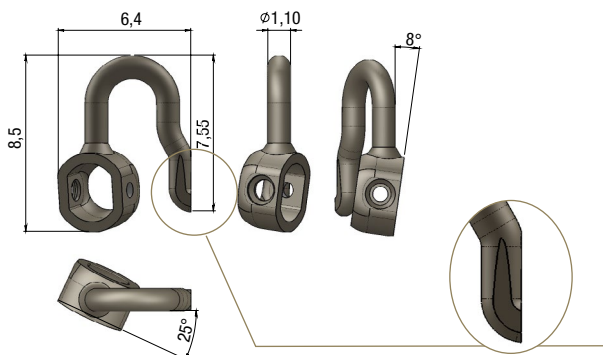


ERGOFEEL® SYSTEM: 03PDC4462A1BY0

Stem code: ROA0121
 Stem shape: 214
 Stem Ø 1.10
 Stem alloy Nickel Silver 18% Ni · CuNi18Zn20

ERGOFEEL® BOX

ERGOFEEL® box alloy Nickel Silver 18% Ni · CuNi18Zn20
 Slanted ERGOFEEL® box 25°*8°
STAMPED STEM 0.9 mm AT THE END

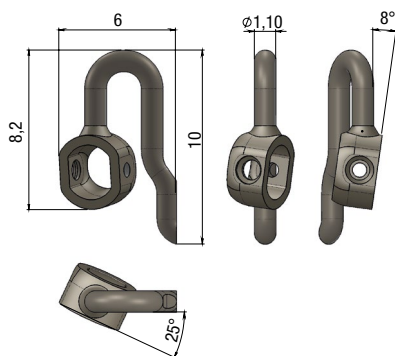


ERGOFEEL® SYSTEM: 03PDC4461A1BY0

Stem code: ROA0011
 Stem shape: 214
 Stem Ø 1.10
 Stem alloy Nickel Silver 18% Ni · CuNi18Zn20

ERGOFEEL® BOX

ERGOFEEL® box alloy Nickel Silver 18% Ni · CuNi18Zn20
 Slanted ERGOFEEL® box 25°*8°
STAMPED STEM 0.9 mm AT THE END

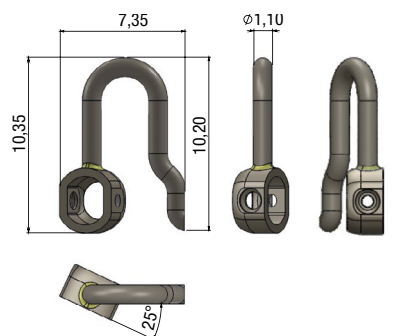


ERGOFEEL® SYSTEM: 03PDC4464A1BY0

Stem code: OA7034
 Stem shape: 214
 Stem Ø 1.10
 Stem alloy Nickel Silver 32% Ni · CuNi32Zn9

ERGOFEEL® BOX

ERGOFEEL® box alloy Nickel Silver 18% Ni · CuNi18Zn20
 Slanted ERGOFEEL® box 25°*8°

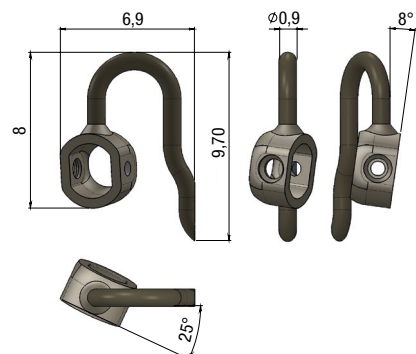


ERGOFEEL® SYSTEM: 03PDC1406A1BY0

Stem code: OA7072
 Stem shape: 214
 Stem Ø 1.10
 Stem alloy Nickel Silver 32% Ni · CuNi32Zn9

ERGOFEEL® BOX

ERGOFEEL® box alloy Nickel Silver 18% Ni · CuNi18Zn20
 Slanted ERGOFEEL® box 25°

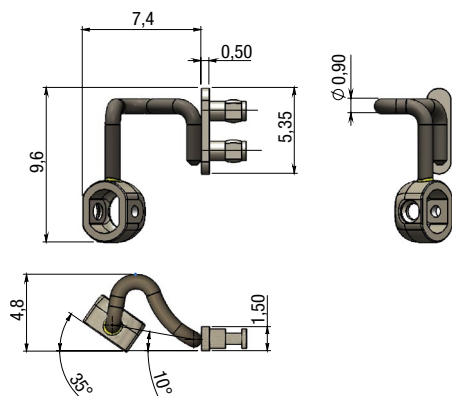


ERGOFEEL® SYSTEM: 18PDC4465A1BY0

Stem code: OA7570
 Stem shape: 214
 Stem Ø 0.9
 Stem alloy Monel · NiCu30Fe

ERGOFEEL® BOX

ERGOFEEL® box alloy Nickel Silver 18% Ni · CuNi18Zn20
 Slanted ERGOFEEL® box 25°*8°

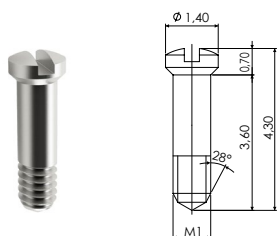


ERGOFEEL® SYSTEM: 18PDB1270A1BY0

Stem code: 18SEB1269A1BY0
 Stem shape: 310
 Stem Ø 0.9
 Stem alloy Monel · NiCu30Fe

ERGOFEEL® BOX

ERGOFEEL® box alloy Nickel Silver 18% Ni · CuNi18Zn20
 Slanted ERGOFEEL® box 35°
 FOR PLASTIC FRAMES
 3D shape



ERGOFEEL® SCREW: 07VIA0994A1BYX

Material: Stainless Steel

Visottica Industrie S.p.a.

Via Vecchia Trevigiana, 11
31058 Susegana
(Treviso), Italy
Tel +39 0438 6551
Fax +39 0438 450 855
sales@visotticacomotec.com

O'Reilly Industrial Ltd.

Rm 302, Shui Hing Centre,
13 Sheung Yuet Road,
Kowloon Bay, Kowloon, Hong Kong
Tel +852 2796 6010
Fax +852 2796 4631
sales@visotticacomotec.hk

COMOTEC Optical Products (Dongguan) Ltd.

No. 20, Weijian Road,
Weijian Industrial Park,
ChaShan Town, Dongguan City
Guangdong Province, China 523380
Tel +86 769 8233 9955
Fax +86 769 8233 9977