



WA

A natural solution for innovative materials

Family of spring hinges for Distinctive frames

WA

A natural solution for innovative materials

Family of spring hinges for Distinctive frames

FEATURES

NEW ANTIROCKING SYSTEM
works in both open and close positions

2 SYSTEMS
SCREW and GLUE

T-SHAPE SCREW
in customized length

PERFORMANCES

WEAR RESISTANCE
40,000 open/close cycles

BENDING RESISTANCE
 $\pm 15^\circ$: >30 cycles
 $\pm 30^\circ$: >10 cycles

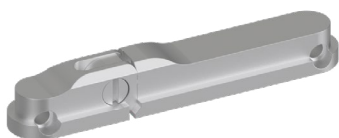
PULLING RESISTANCE
>250N

EXTRA OPENING ANGLE
20° (0/+3°)

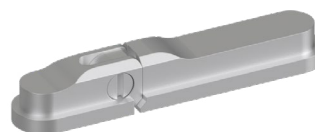
EXTRA OPENING RESISTANCE
50N

2 different systems:

SCREW system



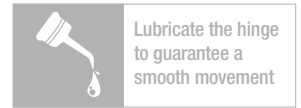
GLUE system



WA Family

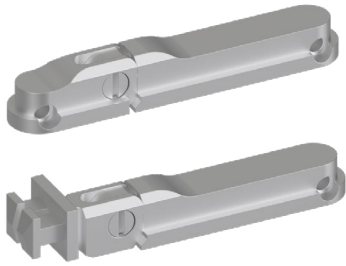
Product Features

Special Spring Hinges



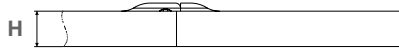
2 SIZES:

3.00 mm

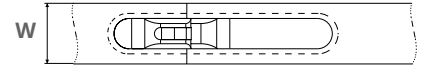


MINIMUM DIMENSIONS FOR APPLICATIONS

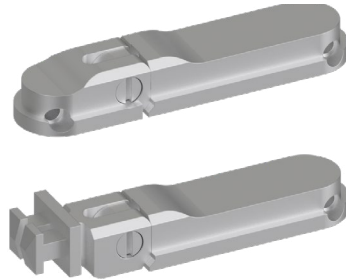
TEMPLE THICKNESS (H)
3,50 mm minimum (metal applications)
4,20 mm minimum. (other materials)



TEMPLE WIDTH (W)
6,00 mm minimum (metal applications)
7,00 mm minimum. (other materials)



4.50 mm

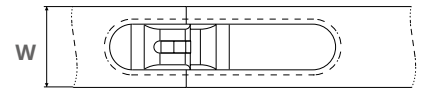


MINIMUM DIMENSIONS FOR APPLICATIONS

TEMPLE THICKNESS (H)
3,50 mm minimum (metal applications)
4,20 mm minimum. (other materials)



TEMPLE WIDTH (W)
8,00 mm minimum (metal applications)
9,00 mm minimum (other materials)



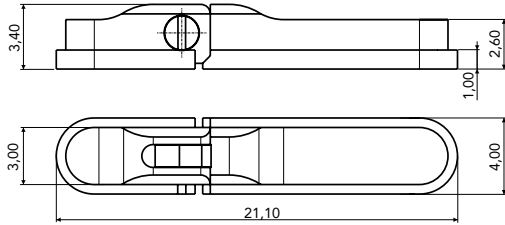
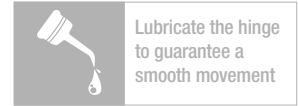
The new antirocking system

works in both open and close positions



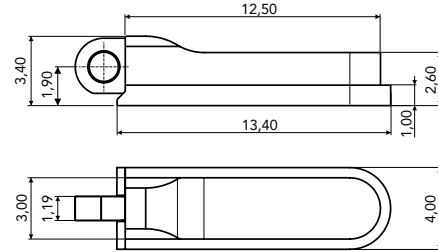
WA 3.0 G

Special Spring Hinge for Innovative Materials
GLUE system



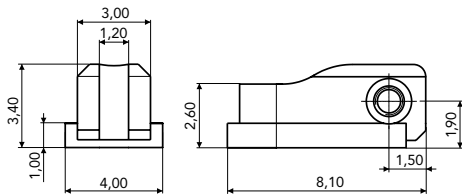
ASSEMBLED HINGE 03ELA0165A1BN0

Material: **Nickel silver**



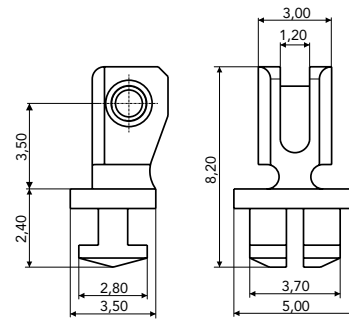
ASSEMBLED BOX 03ELA0166A1BNX

Material: **Nickel silver**



180° FRONT HINGE 03FRA0163A1BN0

Material: **Nickel silver**



90° FRONT HINGE 03FRA0261A1BN0

for wood and acetate applications

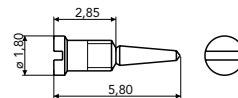
Material: **Nickel silver**

ADJUSTABLE

SCREWS

SELF ALIGNING SCREW M1.40 07VIA0134A1BYX

Material: **Stainless steel**



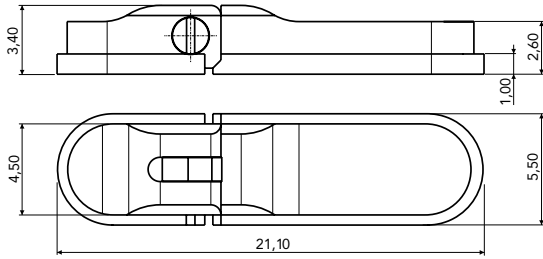
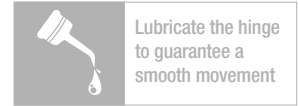
T-SCREW available

in customized length to fit all frames



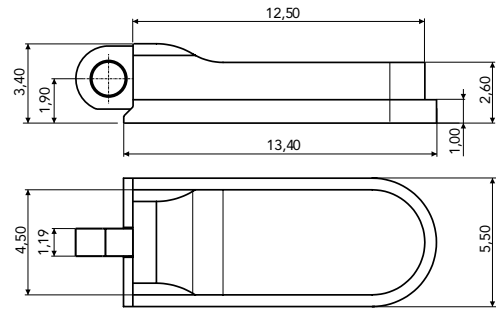
WA 4.5 G

Special Spring Hinge for **Innovative Materials**
GLUE system



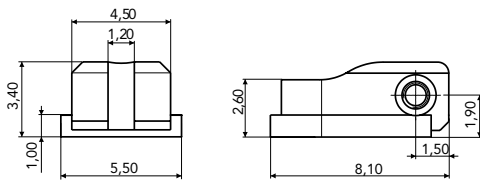
ASSEMBLED HINGE 03ELA0173A1BN0

Material: **Nickel silver**



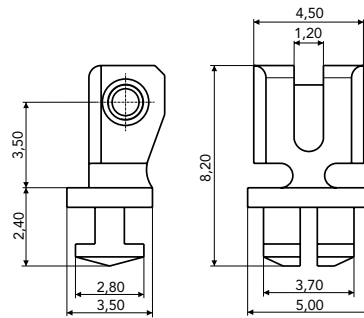
ASSEMBLED BOX 03ELA0174A1BNX

Material: **Nickel silver**



180° FRONT HINGE 03FRA0171A1BN0

Material: **Nickel silver**



90° FRONT HINGE 03FRA0262A1BN0

for wood and acetate applications

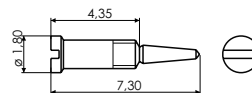
Material: **Nickel silver**

ADJUSTABLE

SCREWS

SELF ALIGNING SCREW M1.40 07VIA0176A1BYX

Material: **Stainless steel**



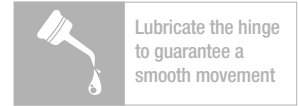
T-SCREW available

in customized length to fit all frames

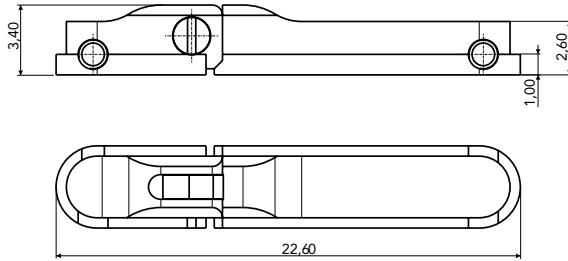


WA 3.0 S

Special Spring Hinge for **Innovative Materials**
SCREW system

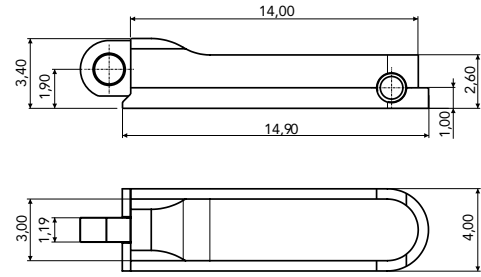


Lubricate the hinge
to guarantee a
smooth movement



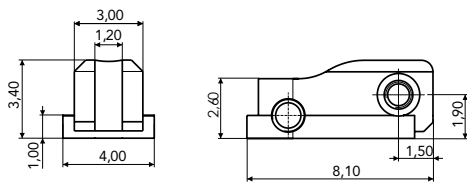
ASSEMBLED HINGE 03ELA0133A1BN0

Material: **Nickel silver**



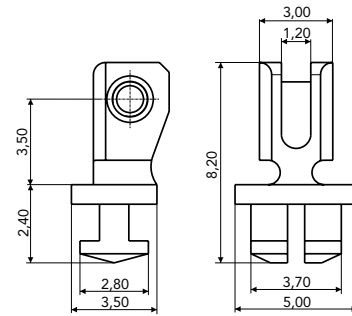
ASSEMBLED BOX 03ELA0175A1BNX

Material: **Nickel silver**



180° FRONT HINGE 03FRA0131A1BN0

Material: **Nickel silver**



90° FRONT HINGE 03FRA0261A1BN0

for wood and acetate applications

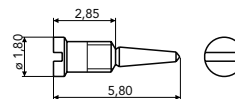
Material: **Nickel silver**

ADJUSTABLE

SCREWS

SELF ALIGNING SCREW M1.40 07VIA0134A1BYX

Material: **Stainless steel**



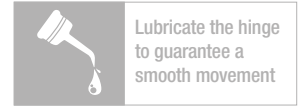
T-SCREW available

in customized length to fit all frames

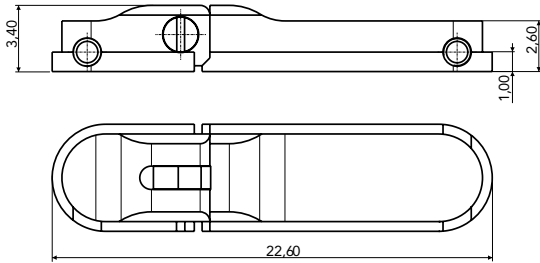


WA 4.5 S

Special Spring Hinge for **Innovative Materials**
SCREW system

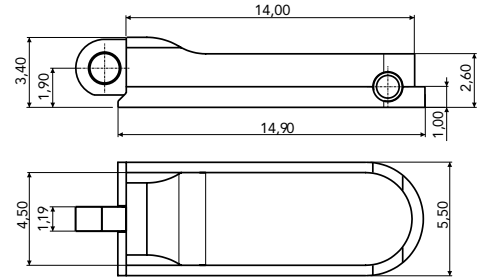


Lubricate the hinge
to guarantee a
smooth movement



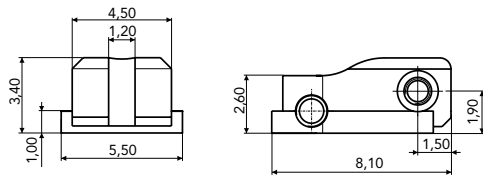
ASSEMBLED HINGE 03ELA0169A1BN0

Material: **Nickel silver**



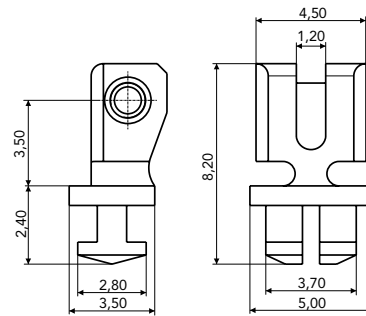
ASSEMBLED BOX 03ELA0170A1BNX

Material: **Nickel silver**



180° FRONT HINGE 03FRA0167A1BN0

Material: **Nickel silver**



90° FRONT HINGE 03FRA0262A1BN0

for wood and acetate applications

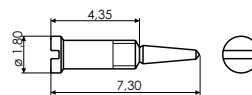
Material: **Nickel silver**

ADJUSTABLE

SCREWS

SELF ALIGNING SCREW M1.40 07VIA0176A1BYX

Material: **Stainless steel**



T-SCREW available

in customized length to fit all frames



Visottica Industrie S.p.a.
Via Vecchia Trevigiana, 11
31058 Susegana
(Treviso), Italy
Tel +39 0438 6551
Fax +39 0438 450 855
sales@visotticacomotec.com

O'Reilly Industrial Ltd.
Rm 302, Shui Hing Centre,
13 Sheung Yuet Road,
Kowloon Bay, Kowloon, Hong Kong
Tel +852 2796 6010
Fax +852 2796 4631
sales@visotticacomotec.hk

COMOTEC Optical Products (Dongguan) Ltd.
No. 20, Weijian Road,
Weijian Industrial Park,
ChaShan Town, Dongguan City
Guangdong Province, China 523380
Tel +86 769 8233 9955
Fax +86 769 8233 9977