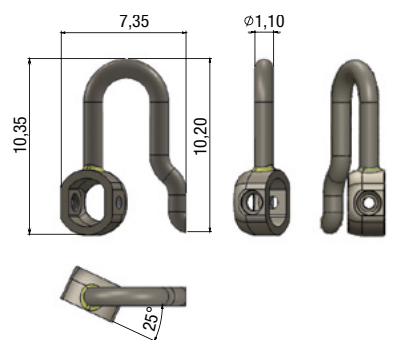


ERGOFEEL® SYSTEM: 03PDC4464A1BY0

Stem code: OA7034
 Stem shape: 214
 Stem Ø 1.10
 Stem alloy Nickel Silver 32% Ni · CuNi32Zn9

ERGOFEEL® BOX

ERGOFEEL® box alloy Nickel Silver 18% Ni · CuNi18Zn20
 Slanted ERGOFEEL® box 25°*8°



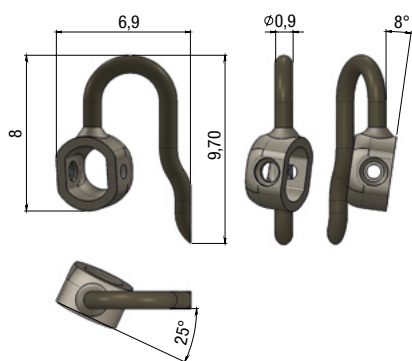
ERGOFEEL® SYSTEM: 03PDC1406A1BY0

Stem code: OA7072
 Stem shape: 214
 Stem Ø 1.10
 Stem alloy Nickel Silver 32% Ni · CuNi32Zn9

ERGOFEEL® BOX

ERGOFEEL® box alloy Nickel Silver 18% Ni · CuNi18Zn20
 Slanted ERGOFEEL® box 25°

MONEL MATERIAL

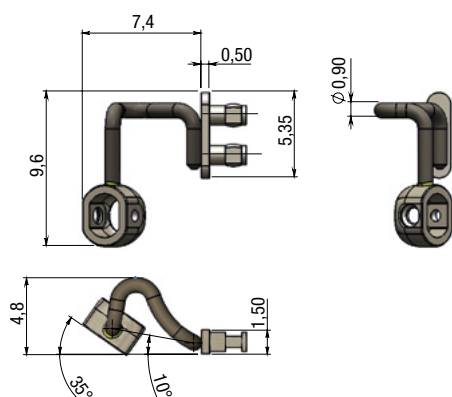


ERGOFEEL® SYSTEM: 18PDC4465A1BY0

Stem code: OA7570
 Stem shape: 214
 Stem Ø 0.9
 Stem alloy Monel · NiCu30Fe

ERGOFEEL® BOX

ERGOFEEL® box alloy Nickel Silver 18% Ni · CuNi18Zn20
 Slanted ERGOFEEL® box 25°*8°



ERGOFEEL® SYSTEM: 18PDB1270A1BY0

Stem code: 18SEB1269A1BY0
 Stem shape: 310
 Stem Ø 0.9
 Stem alloy Monel · NiCu30Fe

ERGOFEEL® BOX

ERGOFEEL® box alloy Nickel Silver 18% Ni · CuNi18Zn20
 Slanted ERGOFEEL® box 35°
 FOR PLASTIC FRAMES
 3D shape