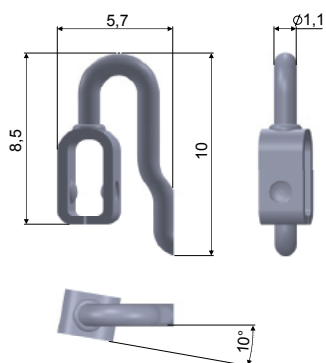


SCREW SYSTEM: 31PD90550000

Stem code: OA7579
Stem shape: 214
Stem ø 1.10
Stem alloy Titanium

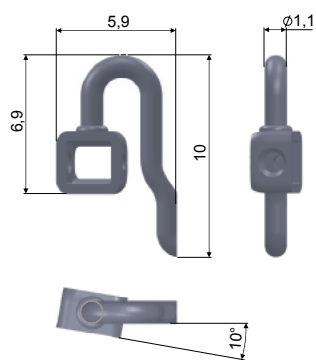
NORMAL BOX
Box alloy Titanium
Slanted box 10°



CLICK SYSTEM: 31PD91283000

Stem code: OA7579
Stem shape: 214
Stem ø 1.10
Stem alloy Titanium

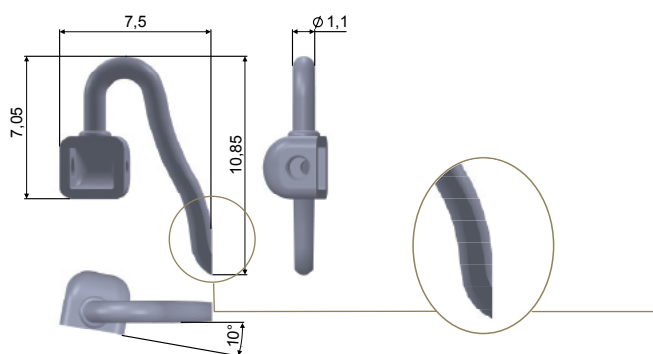
NORMAL BUCKLE
Buckle alloy Titanium
Slanted box 10°



SCREW SYSTEM: 31PD90584000

Stem code: OA7579
Stem shape: 214
Stem ø 1.10
Stem alloy Titanium

MINIBOX
Minibox alloy Titanium
Slanted minibox 10°



SCREW SYSTEM: 31PD90435000

Stem code: OA7567
Stem shape: 225
Stem ø 1.10
Stem alloy Titanium

NORMAL BOX
Box alloy Titanium
Slanted box 10°
STAMPED STEM 0.9 mm AT THE END