



VI^{is}yFit[®]

Invisible mechanism for freedom of expression

Spring and regular hinge for Injection frames

VISYFIT®



Invisible mechanism for freedom of expression

Spring and regular hinge for Injection frames

FEATURES

PRE-ASSEMBLED
mechanism

TWO VERSIONS
with/without front hinge

EASY TO INSERT
user friendly

NO SCREW / GLUE
for fixing

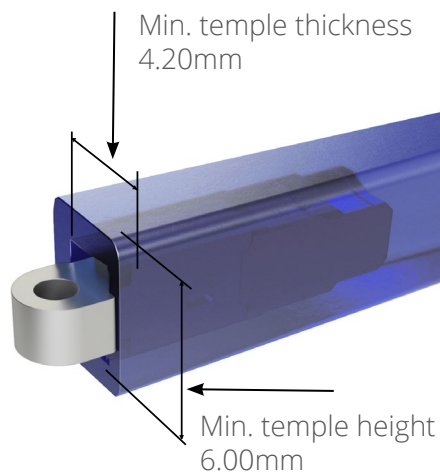
PERFORMANCES

WEAR RESISTANCE
over 50,000 open/close cycles
(mechanism life cycle)

NO ROCKING
Self Alignment System

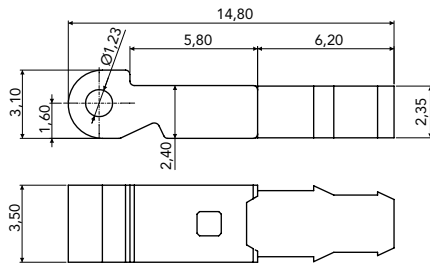
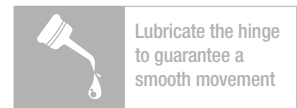
PULLING RESISTANCE
(MECHANISM)
> 250 N

PULLING RESISTANCE
(HINGE IN TR90)
> 250 N



VISYFIT® XL 3.5

Special Spring Hinge for Injection Frames

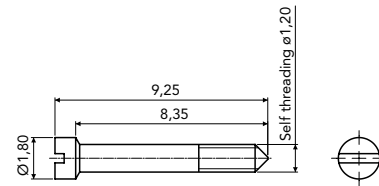


ASSEMBLED HINGE

SOFT VERSION	03EL21634000
HARD VERSION	03ELC4963A1BNX

Material: **Nickel silver**

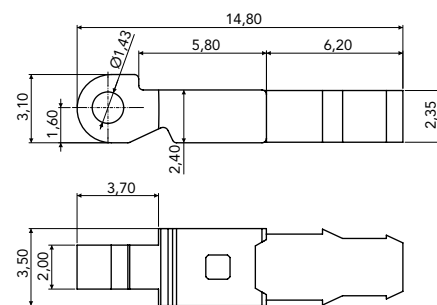
SCREW



SELF THREADING SCREW

07VI18092500

Material: **Stainless steel**

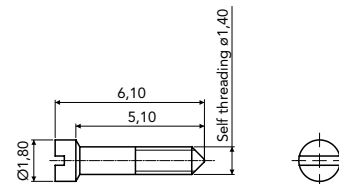


ASSEMBLED HINGE

SOFT VERSION	03ELA0279A1BNX
HARD VERSION	03ELC4846A1BNX

Material: **Nickel silver**

SCREW

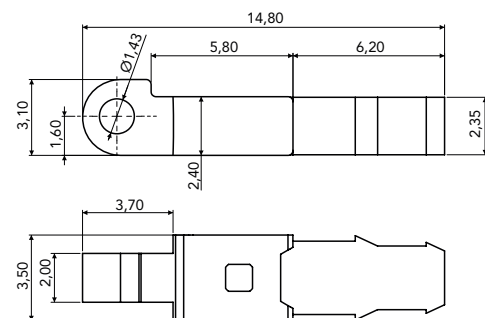
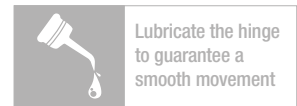


SELF THREADING SCREW

07VIA0366A1BYX

Material: **Stainless steel**

Special Spring Hinge for Combination Frames

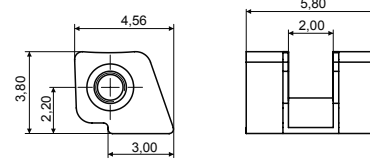


ASSEMBLED HINGE

03ELB1238A1BNX

Material: **Nickel silver**

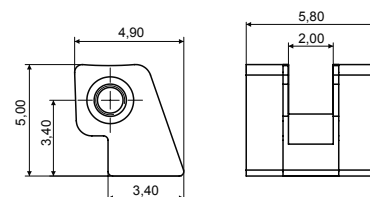
HINGES



SOLDERING HINGE

03FRC2868A1BY0

Material: **Nickel silver**



SOLDERING HINGE

03FRC2867A1BY0

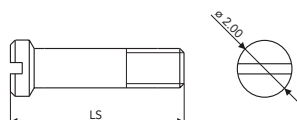
Material: **Nickel silver**

SCREWS

CONICAL SCREW M1.40

LS	CODE
6.10	07VIC2865A1BYX

Material: **Stainless steel**



Visottica Industrie S.p.a.

Via Vecchia Trevigiana, 11
31058 Susegana
(Treviso), Italy
Tel +39 0438 6551
Fax +39 0438 450 855
sales@visotticacomotec.com

O'Reilly Industrial Ltd.

Rm 302, Shui Hing Centre,
13 Sheung Yuet Road,
Kowloon Bay, Kowloon, Hong Kong
Tel +852 2796 6010
Fax +852 2796 4631
sales@visotticacomotec.hk

COMOTEC Optical Products (Dongguan) Ltd.

No. 20, Weijian Road,
Weijian Industrial Park,
ChaShan Town, Dongguan City
Guangdong Province, China 523380
Tel +86 769 8233 9955
Fax +86 769 8233 9977