



VISOTTICACOMOTEC



MEM - PAD
New Exclusive Skin Friendly
Nose Pad

MEM PAD

Product Features

Special Nose Pad

New exclusive Medical Ecofriendly Material (MEM)

The shell of the Nose Pad is made of MEM, a specific compound belonging to the family of TPE (thermoplastic elastomers).



MEM respects Humans and the Environment

It does not contain dangerous or polluting elements:

- NO ozone-depleting or toxic substances;
- NO persistent pollutants;
- NO heavy metals (which affect directly human health);
- NO chlorine, therefore no release of dioxin if incinerated.



MEM is Recyclable

The absence of highly volatile plasticizing elements or other additives allows total recyclability. The optimization of the production process of nose pads and specific national regulations in terms of disposal of optical products could bring to a 100% recyclability of the material.



MEM is an Energy Saver

MEM is lighter than PVC; for the same amount of Pads produced, we can estimate a 25% reduction of plastic consumption. As a result, less energy is consumed during the production process.



MEM is a Medical Grade material

In addition to the other International Regulations, MEM is compliant to the United States Pharmacopeia USP CLASS VI for medical devices. Guaranteeing the best safeguard of consumer's health.

**NOT HARMFUL TO THE HEALTH
RESPECTFUL OF THE ENVIRONMENT**

MEM PAD

Product Features

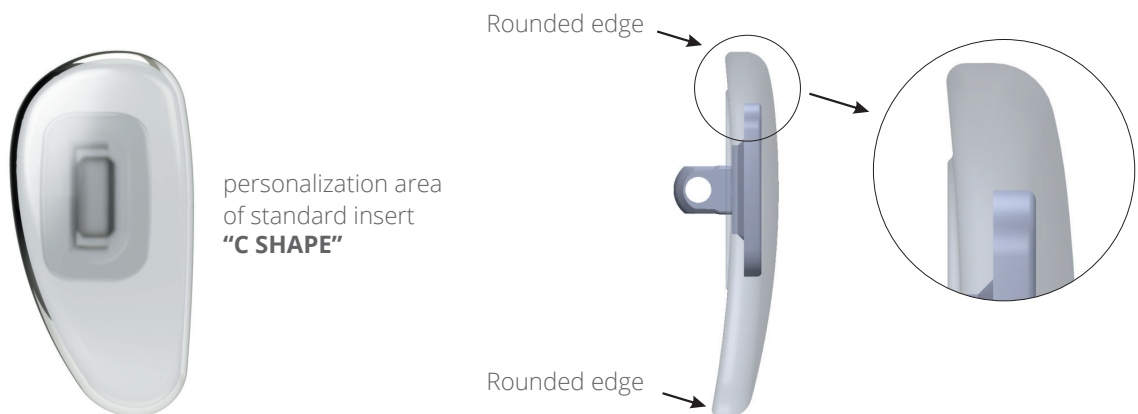
Special Nose Pad

BENEFITS

- SKIN FRIENDLY - MEM is a biocompatible material, therefore is safe for the health, even after a prolonged contact with the skin.
- INCREASED COMFORT - Thanks to the smoother surface with a slightly higher grip, MEM Pad gives a more comfortable feeling than the common Nose Pads.
- DURABILITY - MEM Pad is very stable (in hardness, geometrical shape and color) hence it has a much longer lifetime than common Nose Pads.
- APPEARANCE - MEM Pad has a transparent "crystal warm" color and can be easily cleaned daily with water.

THE NOSE PAD

- MEM shell is combined with a polycarbonate insert "C" shape, neutral or personalized;
- If personalized, the Logo can be oriented or not oriented;
- It is available in a full range of shapes, to satisfy 95% of market needs, in click and screw systems;
- The edges of the shell are rounded to ensure a smoother feeling at touch.



MEM PAD

Product Specifications

Special Nose Pad

STANDARD PERSONALIZATIONS

IP
Ink Printing
on trasparent plastic insert



Logo
Red 186C
Black 594C
Gray 9C
Blue 295C
Green 343C

HS
Hot Stamping - Positive effect
on trasparent plastic insert



Logo
Matt Gold
Matt Silver
Shiny Gold
Shiny Silver
Black 594C

HSE
Hot Stamping Engraving
Logo in relief



Logo
Matt Gold
Matt Silver
Shiny Gold
Shiny Silver
Black 594C

FULL COMPLIANCE

MEM is compliant to all International Regulations:

- **REACH** (Regulation (EC) No. 1907/2006 on the Registration, Evaluation, Authorisation and Restriction of Chemicals);
- **CPSIA** (Consumer Product Safety Improvement Act of 2008);
- **PROP. 65** (Safe Drinking Water and Toxic Enforcement Act of 1986 (California) - **BPA Label Free**);
- **Conflict Minerals** (Dodd-Frank Wall Street Reform and Consumer Protection Act, sec. 1502).

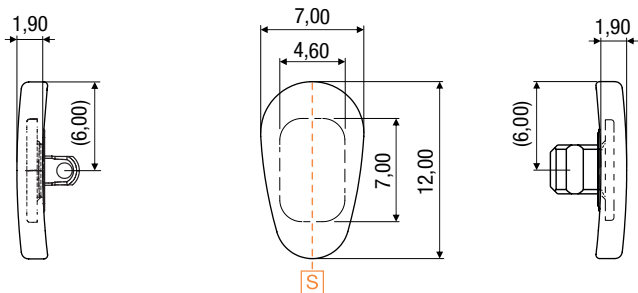
MEM already satisfies the RSL (Restricted Substances List) required by the majority of buyers.

MEM PAD

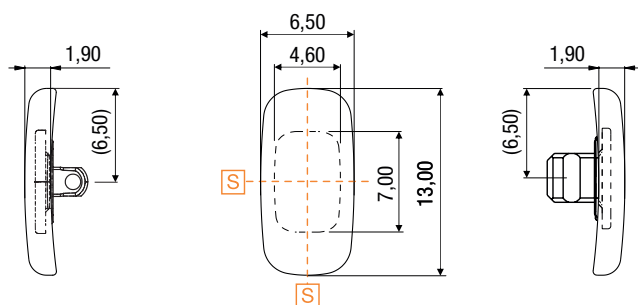
Standard Products

Special Nose Pad

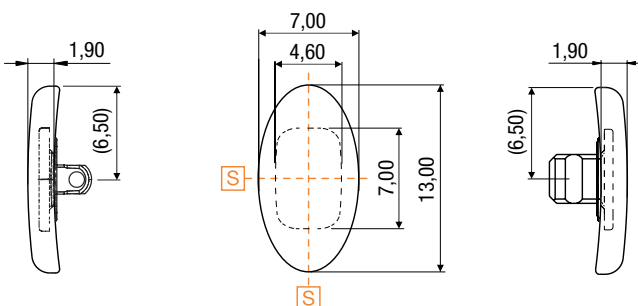
NOSE PAD RANGE



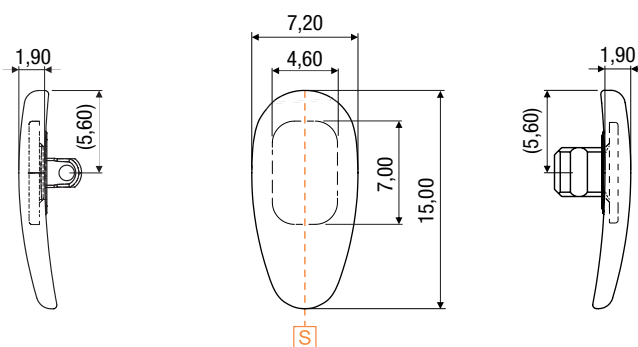
SCREW System	CODE	81NPC6298A1WYX
	Shape	185
CLICK System	CODE	81NPC6299A1WYX
	Shape	185



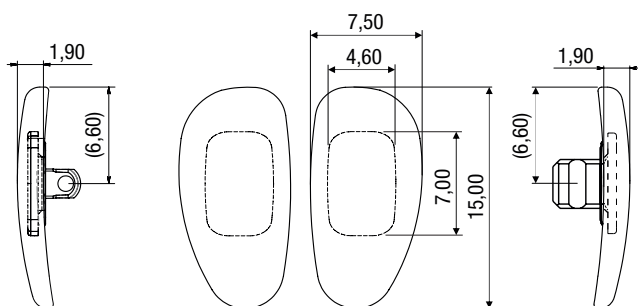
SCREW System	CODE	81NPC6300A1WYX
	Shape	181
CLICK System	CODE	81NPC6301A1WYX
	Shape	181



SCREW System	CODE	81NPC6302A1WYX
	Shape	182
CLICK System	CODE	81NPC6303A1WYX
	Shape	182



SCREW System	CODE	81NPC6304A1WYX
	Shape	186
CLICK System	CODE	81NPC6305A1WYX
	Shape	186



SCREW System	CODE	81NPC6306A1WY0
	Shape	183
CLICK System	CODE	81NPC6307A1WY0
	Shape	183

Visottica Industrie S.p.a.
Via Vecchia Trevigiana, 11
31058 Susegana
(Treviso), Italy
Tel +39 0438 6551
Fax +39 0438 450 855
sales@visotticacomotec.com

O'Reilly Industrial Ltd.
Rm 302, Shui Hing Centre,
13 Sheung Yuet Road,
Kowloon Bay, Kowloon, Hong Kong
Tel +852 2796 6010
Fax +852 2796 4631
sales@visotticacomotec.hk

COMOTEC Optical Products (Dongguan) Ltd.
No. 20, Weijian Road,
Weijian Industrial Park,
ChaShan Town, Dongguan City
Guangdong Province, China 523380
Tel +86 769 8233 9955
Fax +86 769 8233 9977