



# WA

## A natural solution for innovative materials

Family of spring hinges for Distinctive frames

# WA

## A natural solution for innovative materials

Family of spring hinges for Distinctive frames

### FEATURES

**NEW ANTIROCKING SYSTEM**  
works in both open and close positions

**2 SYSTEMS**  
SCREW and GLUE

**T-SHAPE SCREW**  
in customized length

### PERFORMANCES

**WEAR RESISTANCE**  
40,000 open/close cycles

**BENDING RESISTANCE**  
 $\pm 15^\circ$  : >30 cycles  
 $\pm 30^\circ$  : >10 cycles

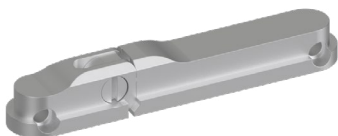
**PULLING RESISTANCE**  
>250N

**EXTRA OPENING ANGLE**  
20° (0/+3°)

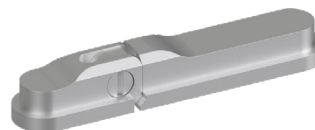
**EXTRA OPENING RESISTANCE**  
50N

### 2 different systems:

**SCREW system**



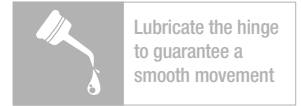
**GLUE system**



# WA Family

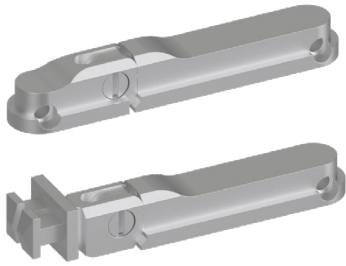
## Product Features

### Special Spring Hinges



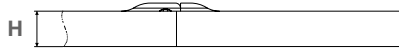
#### 2 SIZES:

3.00 mm

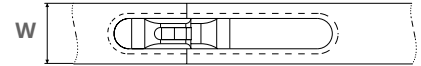


#### MINIMUM DIMENSIONS FOR APPLICATIONS

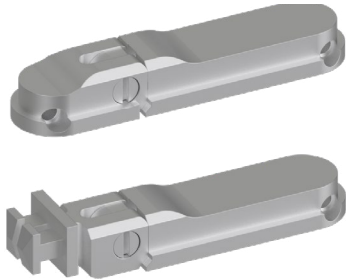
**TEMPLE THICKNESS (H)**  
3,50 mm minimum (metal applications)  
4,20 mm minimum. (other materials)



**TEMPLE WIDTH (W)**  
6,00 mm minimum (metal applications)  
7,00 mm minimum. (other materials)



4.50 mm

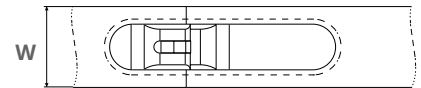


#### MINIMUM DIMENSIONS FOR APPLICATIONS

**TEMPLE THICKNESS (H)**  
3,50 mm minimum (metal applications)  
4,20 mm minimum. (other materials)



**TEMPLE WIDTH (W)**  
8,00 mm minimum (metal applications)  
9,00 mm minimum (other materials)



#### The new antirocking system

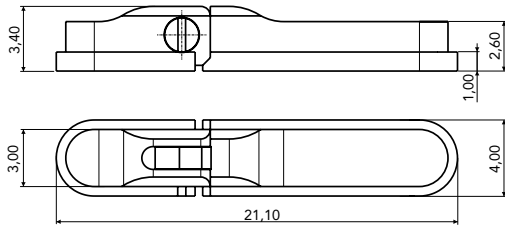
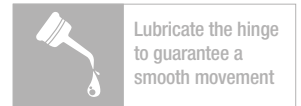
works in both open and close positions



# WA 3.0 G · GLUE SYSTEM

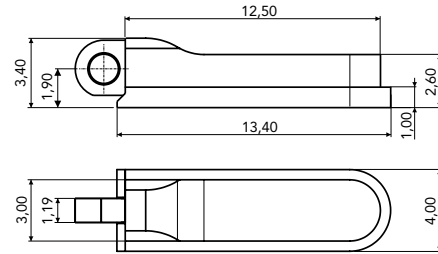
## Product Drawings

### Special Spring Hinges



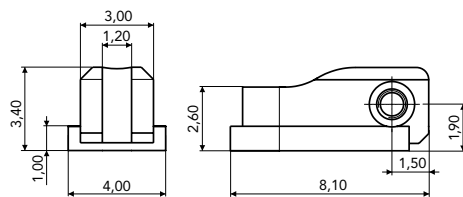
**ASSEMBLED HINGE** 03ELA0165A1BN0

Material: **Nickel silver**



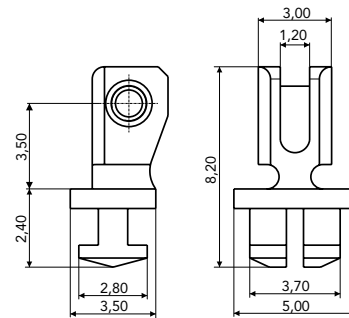
**ASSEMBLED BOX** 03ELA0166A1BNX

Material: **Nickel silver**



**180° FRONT HINGE** 03FRA0163A1BN0

Material: **Nickel silver**



**90° FRONT HINGE** 03FRA0261A1BN0

for wood and acetate applications

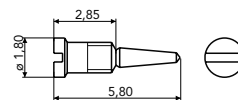
Material: **Nickel silver**

**ADJUSTABLE**

### SCREWS

**SELF ALIGNMENT SCREW M1.40** 07VIA0134A1BYX

Material: **Stainless steel**



**T-SCREW** available

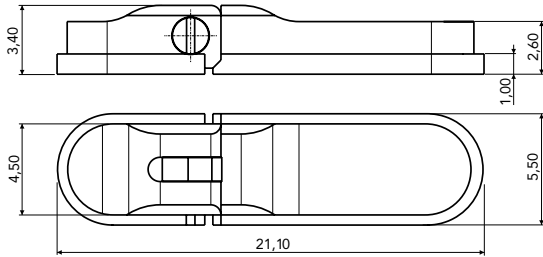
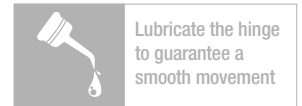
in customized length to fit all frames



# WA 4.5 G · GLUE SYSTEM

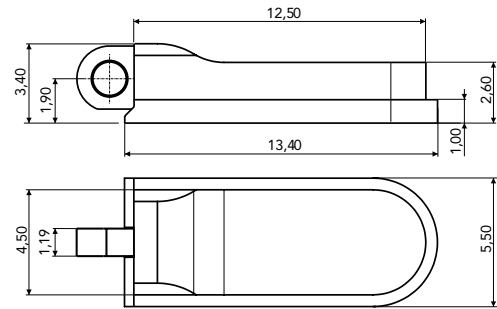
## Product Drawings

### Special Spring Hinges



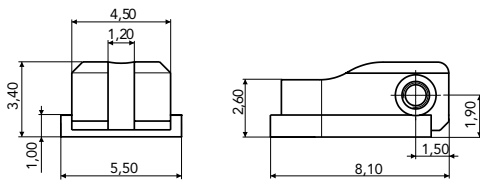
**ASSEMBLED HINGE** 03ELA0173A1BN0

Material: **Nickel silver**



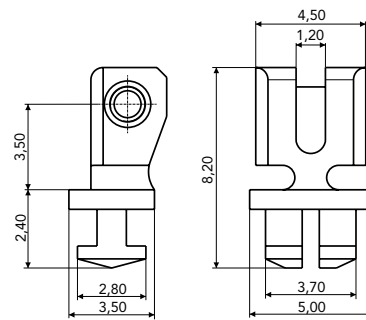
**ASSEMBLED BOX** 03ELA0174A1BNX

Material: **Nickel silver**



**180° FRONT HINGE** 03FRA0171A1BN0

Material: **Nickel silver**



**90° FRONT HINGE** 03FRA0262A1BN0

for wood and acetate applications

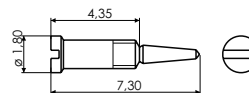
Material: **Nickel silver**

**ADJUSTABLE**

### SCREWS

**SELF ALIGNMENT SCREW M1.40** 07VIA0176A1BYX

Material: **Stainless steel**



**T-SCREW available**

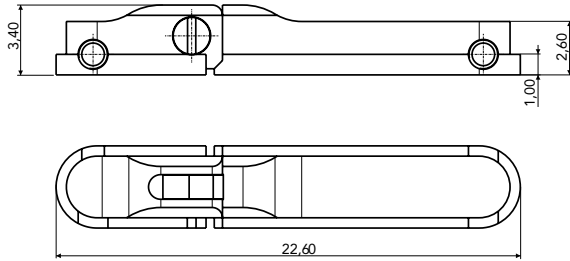
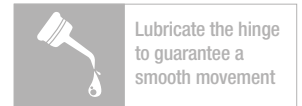
in customized length to fit all frames



# WA 3.0 S · SCREW SYSTEM

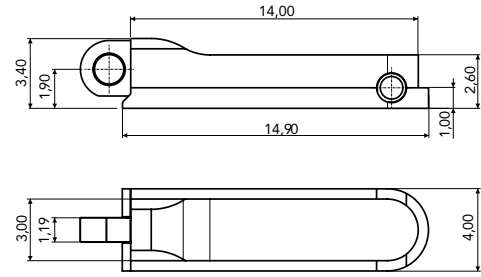
Product Drawings

Special Spring Hinges



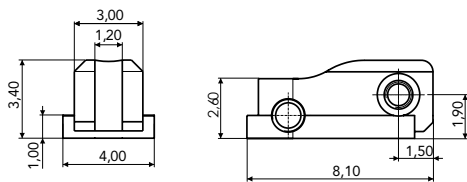
**ASSEMBLED HINGE** 03ELA0133A1BN0

Material: **Nickel silver**



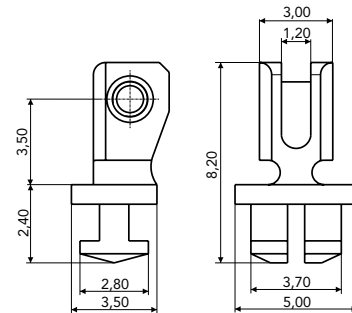
**ASSEMBLED BOX** 03ELA0175A1BNX

Material: **Nickel silver**



**180° FRONT HINGE** 03FRA0131A1BN0

Material: **Nickel silver**



**90° FRONT HINGE** 03FRA0261A1BN0

for wood and acetate applications

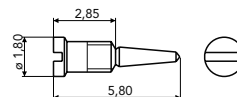
Material: **Nickel silver**

**ADJUSTABLE**

## SCREWS

**SELF ALIGNMENT SCREW M1.40** 07VIA0134A1BYX

Material: **Stainless steel**



**T-SCREW available**

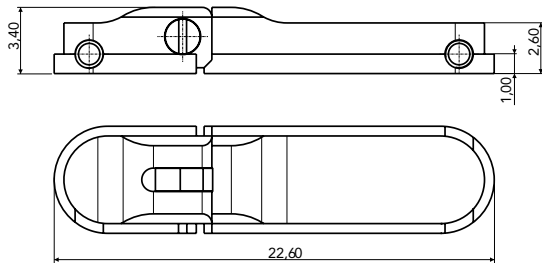
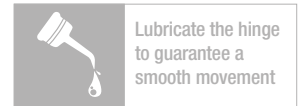
in customized length to fit all frames



# WA 4.5 S · SCREW SYSTEM

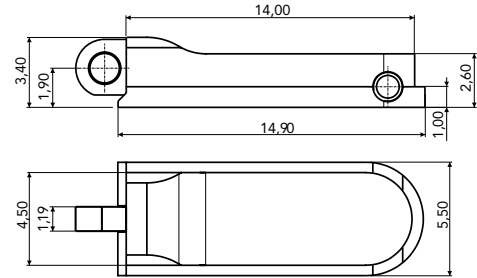
Product Drawings

Special Spring Hinges



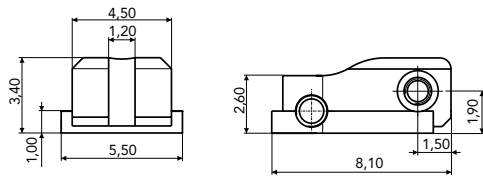
**ASSEMBLED HINGE** 03ELA0169A1BN0

Material: **Nickel silver**



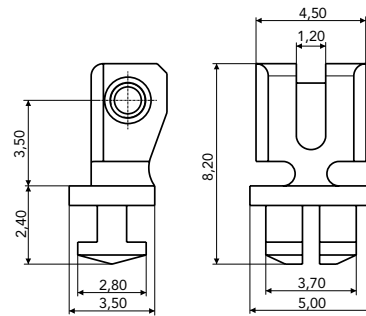
**ASSEMBLED BOX** 03ELA0170A1BNX

Material: **Nickel silver**



**180° FRONT HINGE** 03FRA0167A1BN0

Material: **Nickel silver**



**90° FRONT HINGE** 03FRA0262A1BN0

for wood and acetate applications

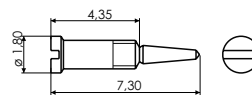
Material: **Nickel silver**

**ADJUSTABLE**

## SCREWS

**SELF ALIGNMENT SCREW M1.40** 07VIA0176A1BYX

Material: **Stainless steel**



**T-SCREW** available

in customized length to fit all frames



**Visottica Industrie S.p.a.**  
Via Vecchia Trevigiana, 11  
31058 Susegana  
(Treviso), Italy  
Tel +39 0438 6551  
Fax +39 0438 450 855  
sales@visotticacomotec.com

**O'Reilly Industrial Ltd.**  
Rm 302, Shui Hing Centre,  
13 Sheung Yuet Road,  
Kowloon Bay, Kowloon, Hong Kong  
Tel +852 2796 6010  
Fax +852 2796 4631  
sales@visotticacomotec.hk

**COMOTEC Optical Products (Dongguan) Ltd.**  
No. 20, Weijian Road,  
Weijian Industrial Park,  
ChaShan Town, Dongguan City  
Guangdong Province, China 523380  
Tel +86 769 8233 9955  
Fax +86 769 8233 9977