



WR302

Regular wirecore, revolutionary features

Three and five joints vintage hinge for Acetate and Combination frames

WR302

Regular wirecore, revolutionary features

Three and five joints vintage hinge for Acetate and Combination frames

FEATURES

JOINT SYSTEM

5 joints (3.8 mm · 5.0 mm)
3 joints (3.0 mm)

SCREWS

Standard screw
T-screw
VIT screw

TEMPLE CLOSURE

perfect symmetry

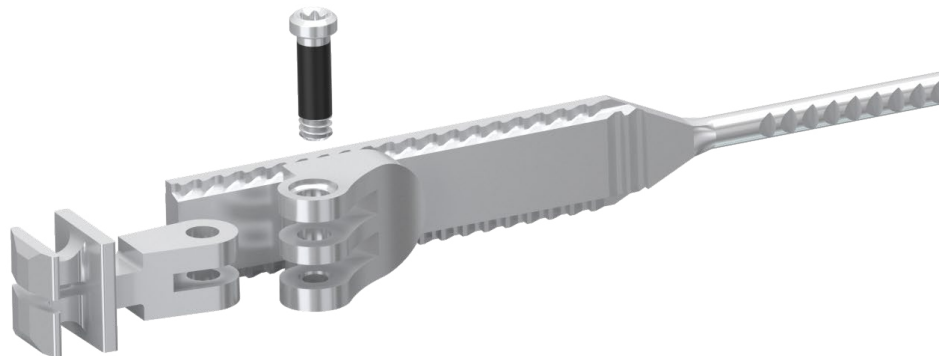
PERFORMANCES

BENDING RESISTANCE

min. 10 complete cycles $\pm 15^\circ$
min. 3 complete cycles $\pm 30^\circ$

TORSION RESISTANCE

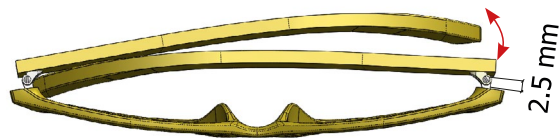
min. 35 complete cycles $\pm 10^\circ$



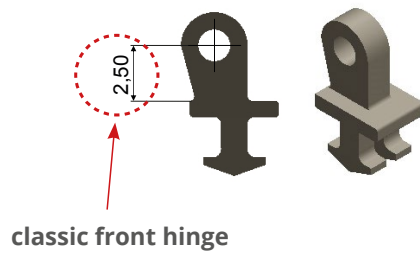
Performance Comparision

between classic temple closure and WR302 temple closure

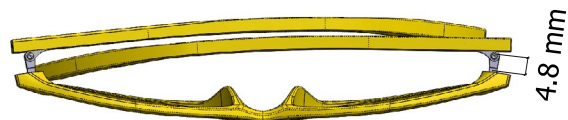
CLASSIC TEMPLE CLOSURE



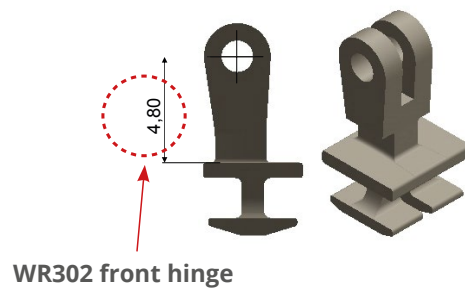
The front part of the hinge is too short to allow a good closing frame position



WR302 TEMPLE CLOSURE



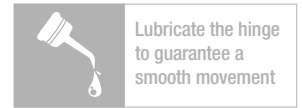
The higher WR302 front hinge ensures a perfect closure of the temples



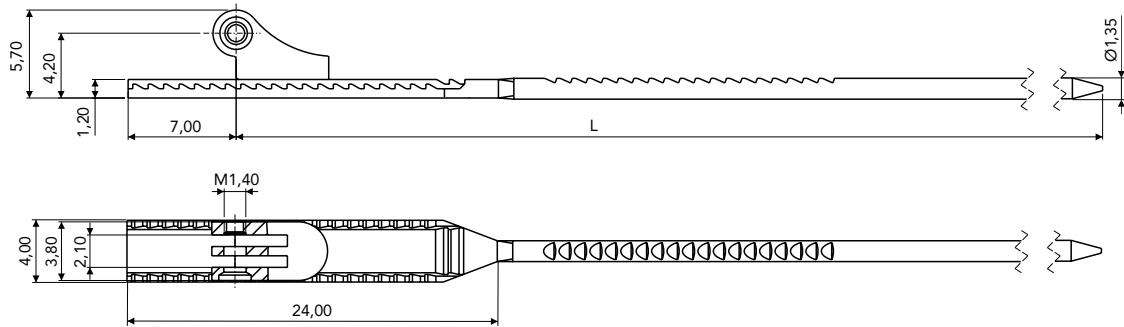
WR302 (3.8) · 5 joints

Product Drawings

Regular Hinge and Wirecore



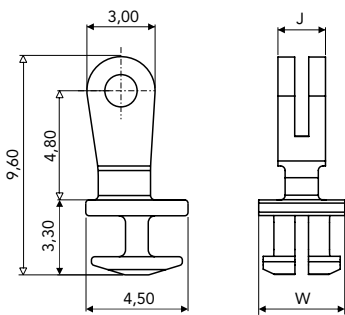
Lubricate the hinge to guarantee a smooth movement



WIRECORE

L	CODE
128	03WRB070228BN0
133	03WRB070233BN0

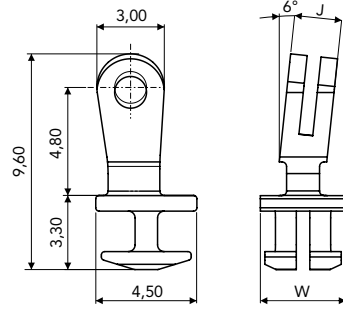
Material: **Nickel silver**



90° FRONT HINGE

W	J	CODE
3.80	2.10	03MAA0646A1BNX

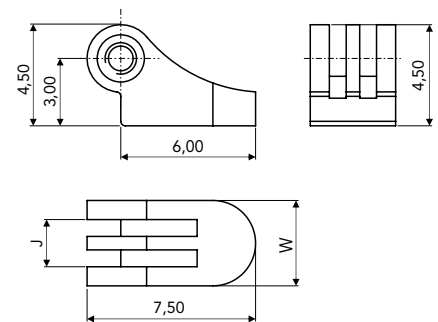
Material: **Nickel silver**
ADJUSTABLE



90° FRONT HINGE

W	J	CODE
3.80	2.10	03MAA0648A1BN0

Material: **Nickel silver**
ADJUSTABLE
6° SLANTED ANGLE

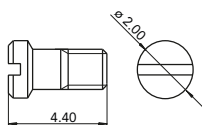


FEMALE

W	J	CODE
3.80	2.10	03FEA0650A1BY0

Material: **Nickel silver**

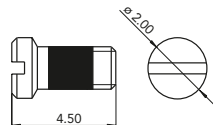
SCREWS



STANDARD SCREW M1.40

W	CODE
3.80	07VIA0710A1BYX

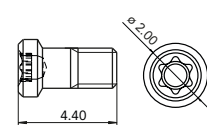
Material: **Stainless steel**



STANDARD SCREW M1.40

W	CODE
3.80	07VI20045029

Material: **Stainless steel**
Visottica Injection Technology



VISOTTICA T-SCREW M1.40

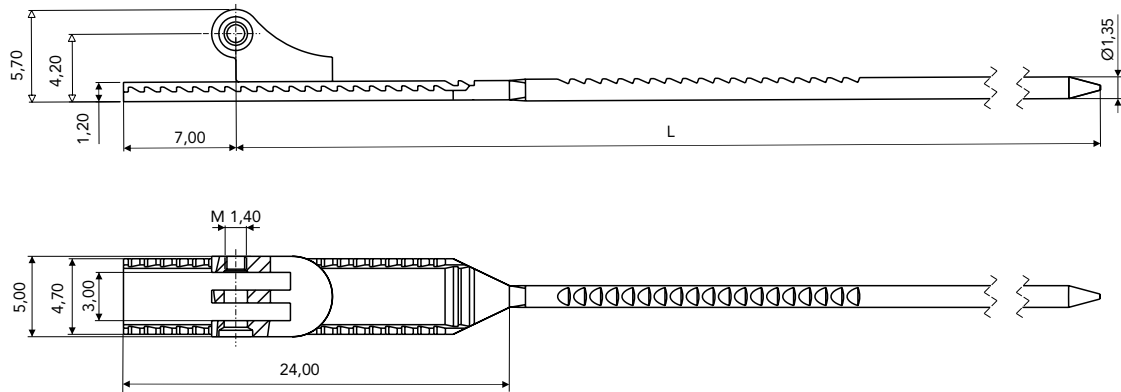
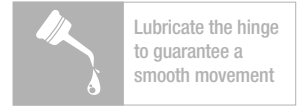
W	CODE
3.80	07VIA0706A1BYX

Material: **Stainless steel**

WR302 (5.0) · 5 joints

Product Drawings

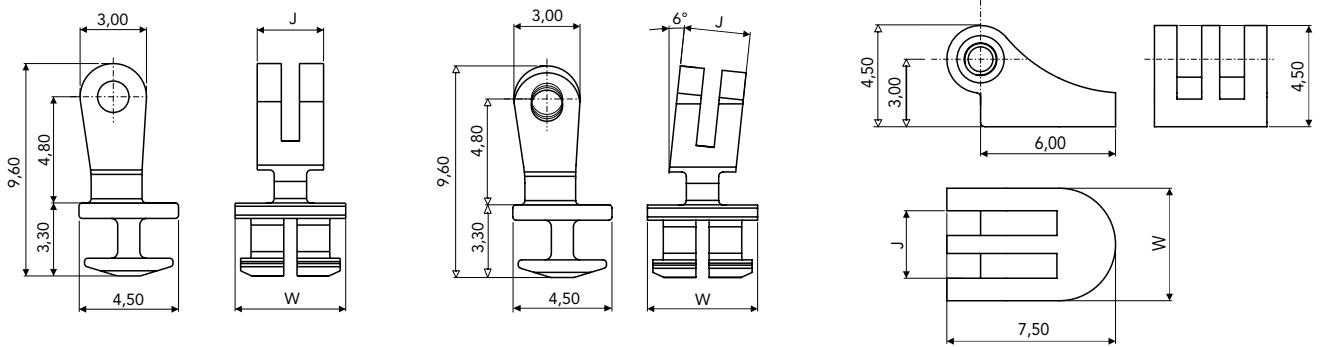
Regular Hinge and Wirecore



WIRECORE

L	CODE
128	03WRB070328BN0
133	03WRB070333BN0

Material: **Nickel silver**



90° FRONT HINGE

W	J	CODE
5.00	3.00	03MAA0645A1BNX

Material: **Nickel silver**
ADJUSTABLE

90° FRONT HINGE

W	J	CODE
5.00	3.00	03MAA0647A1BN0

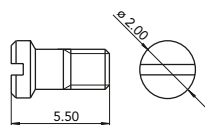
Material: **Nickel silver**
ADJUSTABLE
6° SLANTED ANGLE

FEMALE

W	J	CODE
5.00	3.00	03FEA0649A1BY0

Material: **Nickel silver**

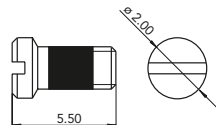
SCREWS



STANDARD SCREW M1.40

W	CODE
5.00	07VI20055010

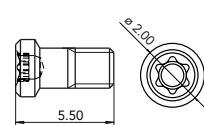
Material: **Stainless steel**



STANDARD SCREW M1.40

W	CODE
5.00	07VI20055009

Material: **Stainless steel**
Visottica Injection Technology



VISOTTICA T-SCREW M1.40

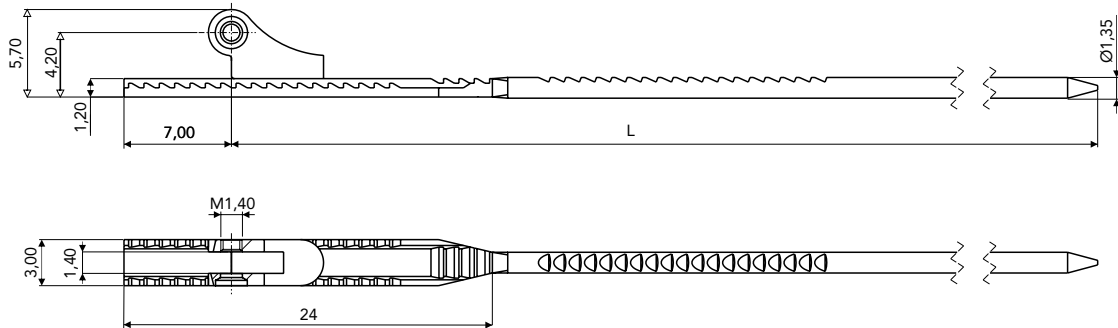
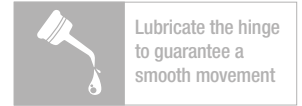
W	CODE
5.00	07VIA0708A1BYX

Material: **Stainless steel**

WR302 (3.0) · 3 joints

Product Drawings

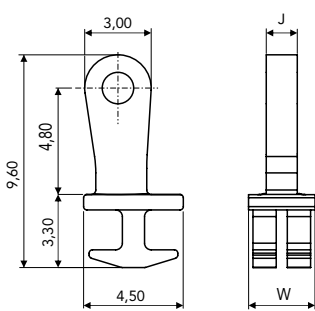
Regular Hinge and Wirecore



WIRECORE

L	CODE
128	03WRB091828BN0
133	03WRB091833BN0

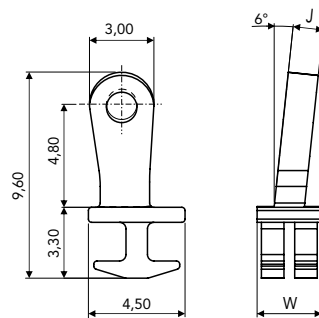
Material: **Nickel silver**



90° FRONT HINGE

W	J	CODE
2,60	1,40	03MAA0799A1BNX

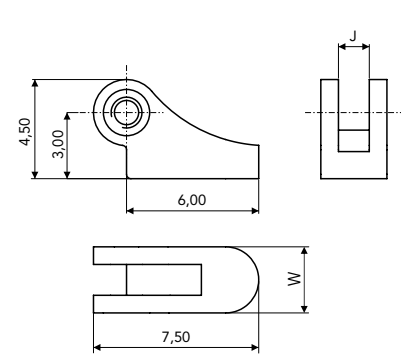
Material: **Nickel silver**
ADJUSTABLE



90° FRONT HINGE

W	J	CODE
2,60	1,40	03MAA0800A1BN0

Material: **Nickel silver**
ADJUSTABLE
6° SLANTED ANGLE

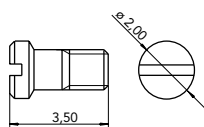


FEMALE

W	J	CODE
3,00	1,40	03FEA0801A1BY0

Material: **Nickel silver**

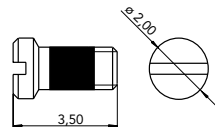
SCREWS



STANDARD SCREW M1.40

W	CODE
3,00	07VI20035007

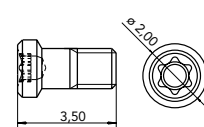
Material: **Stainless steel**



STANDARD SCREW M1.40

W	CODE
3,00	07VIA0804A1BYX

Material: **Stainless steel**
Visottica Injection Technology



VISOTTICA T-SCREW M1.40

W	CODE
2,60	07VIA0802A1BYX

Material: **Stainless steel**

Visottica Industrie S.p.a.
Via Vecchia Trevigiana, 11
31058 Susegana
(Treviso), Italy
Tel +39 0438 6551
Fax +39 0438 450 855
sales@visotticacomotec.com

O'Reilly Industrial Ltd.
Rm 302, Shui Hing Centre,
13 Sheung Yuet Road,
Kowloon Bay, Kowloon, Hong Kong
Tel +852 2796 6010
Fax +852 2796 4631
sales@visotticacomotec.hk

COMOTEC Optical Products (Dongguan) Ltd.
No. 20, Weijian Road,
Weijian Industrial Park,
ChaShan Town, Dongguan City
Guangdong Province, China 523380
Tel +86 769 8233 9955
Fax +86 769 8233 9977